



Mounting dimensions and overall dimensions see the following table.

YB355~450系列隔爆型 (6kV、10kV)

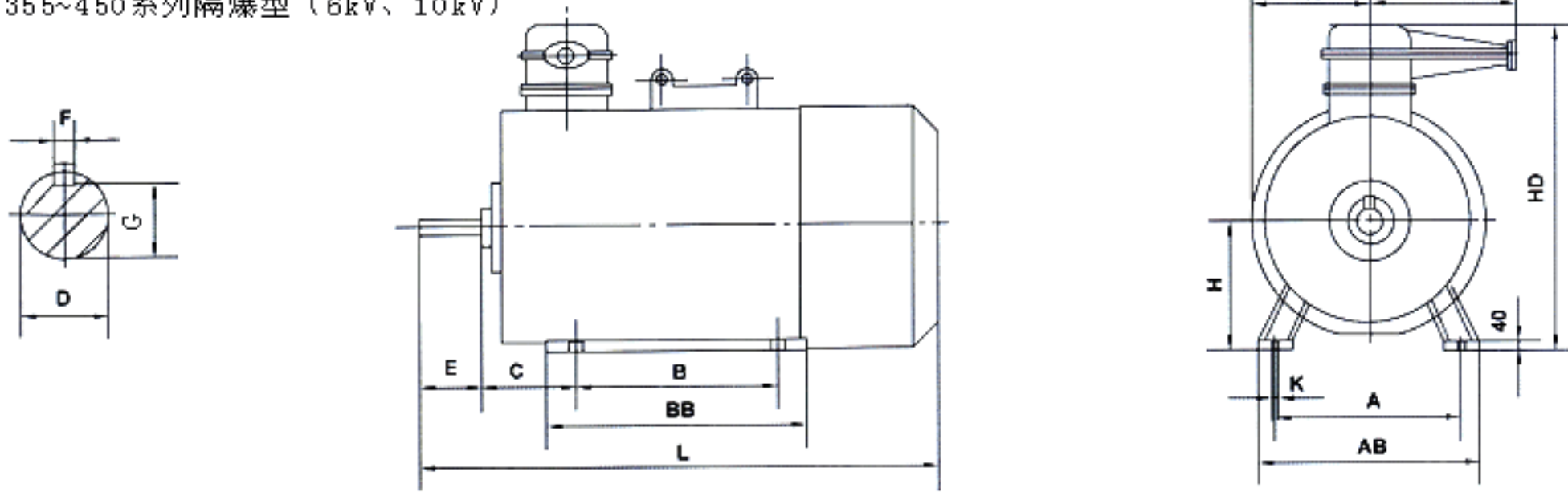


表 1 Table 1

mm

机座号 Frame size	极数 No. of poles	安装尺寸 Mounting Dimensions										外形尺寸 Overall Dimensions							
		A	B	C	D	E	F	G	H	K	进线口管螺纹 Thread of entry	AB	AC	AD	BB	HD	L		
355S	2	710			$75^{+0.030}_{+0.011}$	140		20		67.5		355						1730	
	4极以上 4poles and more				$90^{+0.035}_{+0.013}$	170		25		81									1030
355M	2	610	800	254 ± 4.0	$75^{+0.030}_{+0.011}$	140	± 0.50	20		67.5			$\varnothing 28^{+0.620}_0$ $\varnothing 2.0(M)$	M85X3	760	375	415	1100	1870
	4极以上 4poles and more				$90^{+0.035}_{+0.013}$	170		25		81									
400S	2	686	900	280 ± 4.0	$75^{+0.030}_{+0.011}$	140	± 0.50	20	0	67.5	400	0	$\varnothing 35^{+0.620}_0$ $\varnothing 2.5(M)$	M85X3	850	425	415	1180	1760
	4级以上 4poles and more				$90^{+0.035}_{+0.013}$	170		25		81								0	-0.2
400M	2	1000			$75^{+0.030}_{+0.011}$	140	± 0.50	20		67.5								1280	1840
	4极以上 4poles and more				$90^{+0.035}_{+0.013}$	170		25		81									1880
450S	2	750	900	315 ± 4.0	$85^{+0.035}_{+0.013}$	170	± 0.57	22		76								1260	1900
	4极以上 4poles and more				$100^{+0.035}_{+0.013}$	210		28		90									1940
450M	2	1000			$85^{+0.035}_{+0.013}$	170	± 0.50	22		76			$\varnothing 35^{+0.620}_0$ $\varnothing 2.5(M)$	M85X3	900	475	550	1275	2020
	4极以上 4poles and more				$100^{+0.035}_{+0.013}$	210		28		90									1380